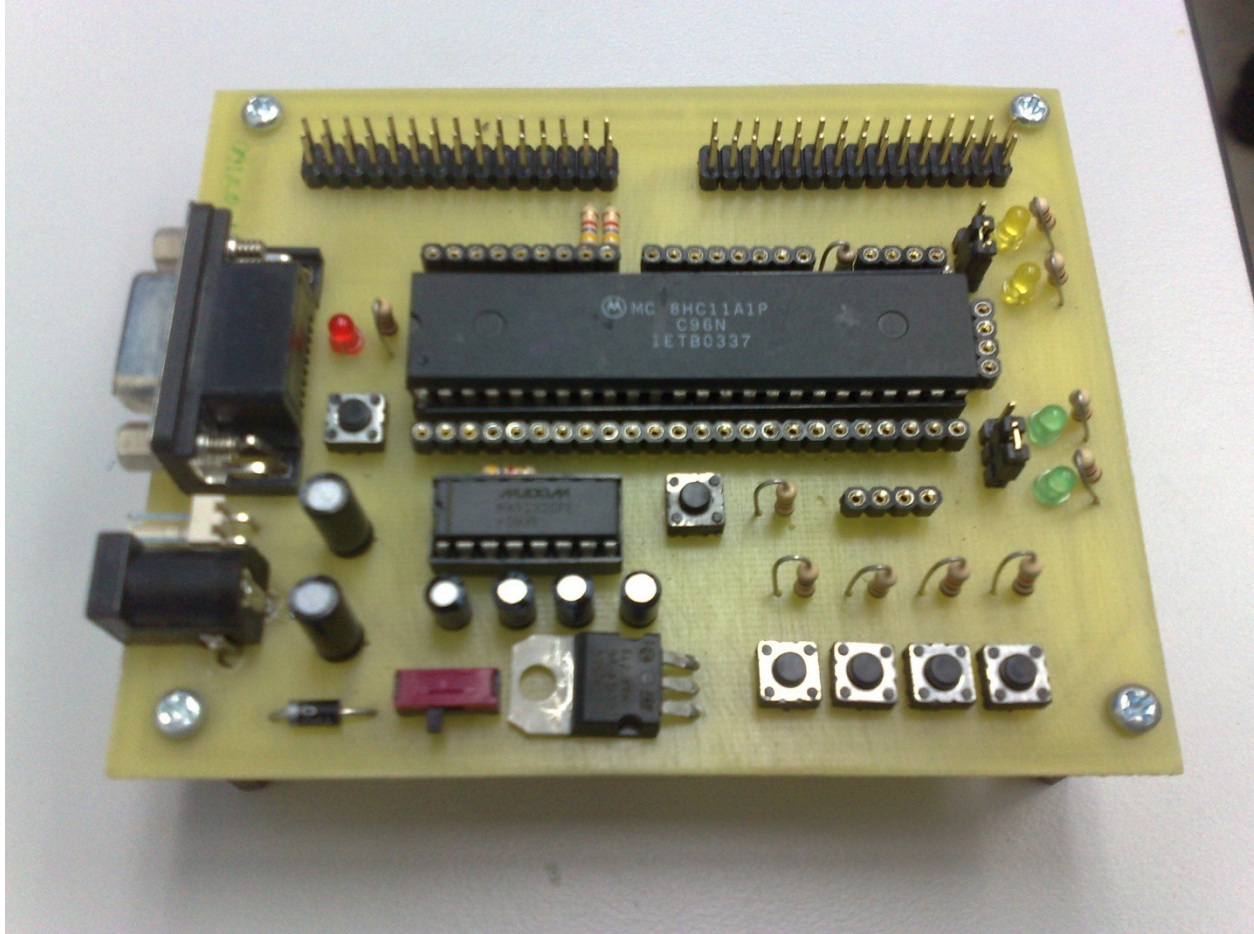
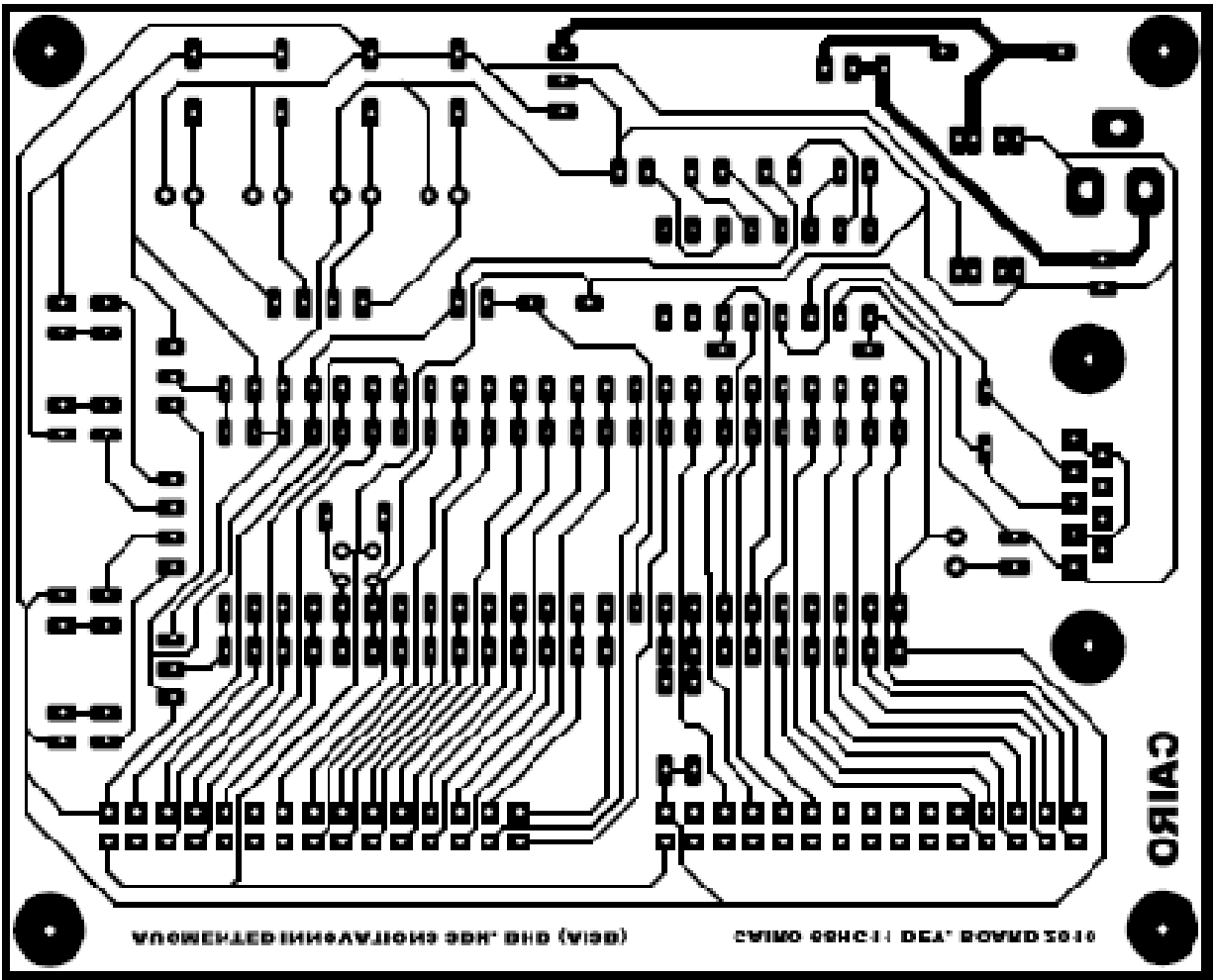
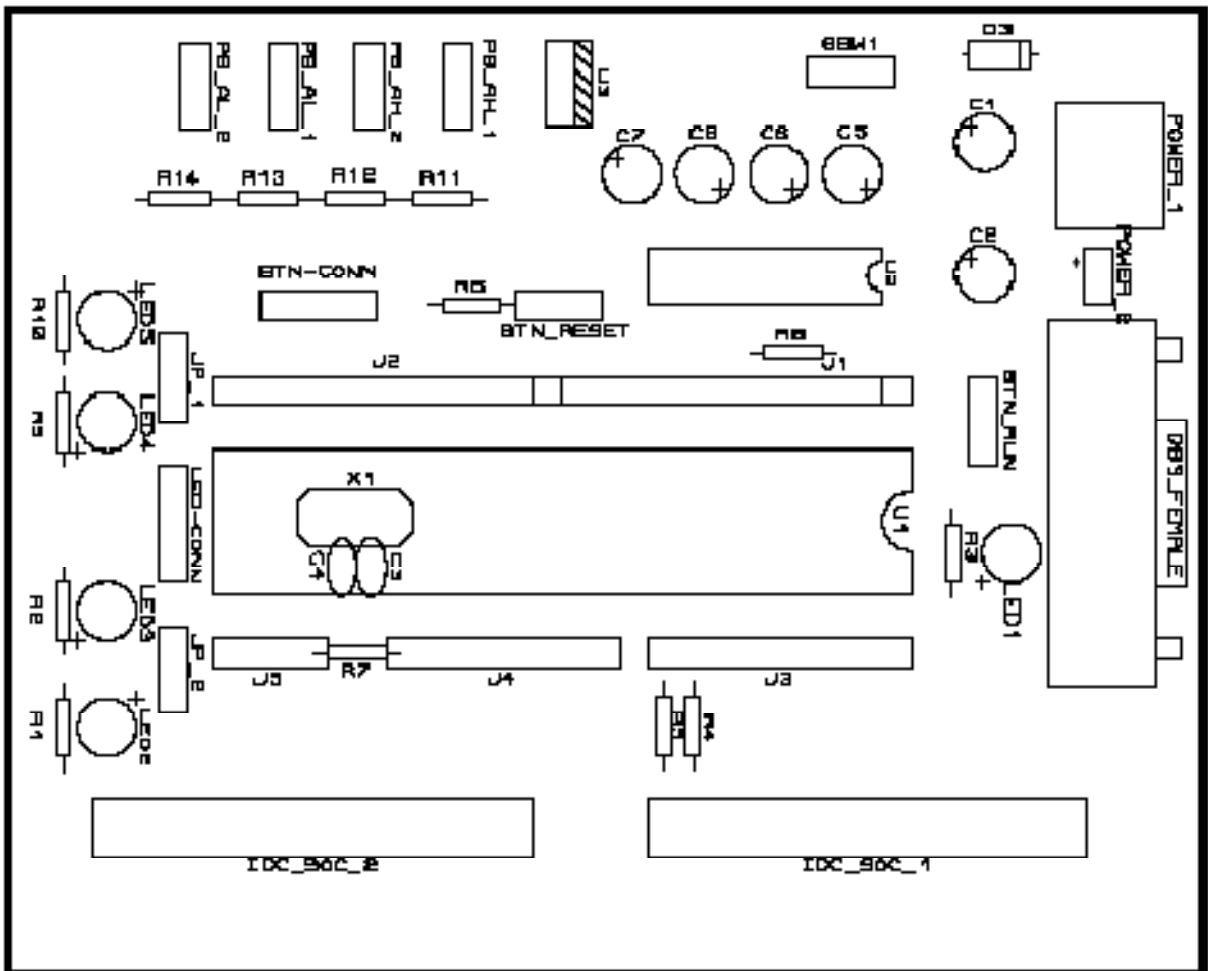
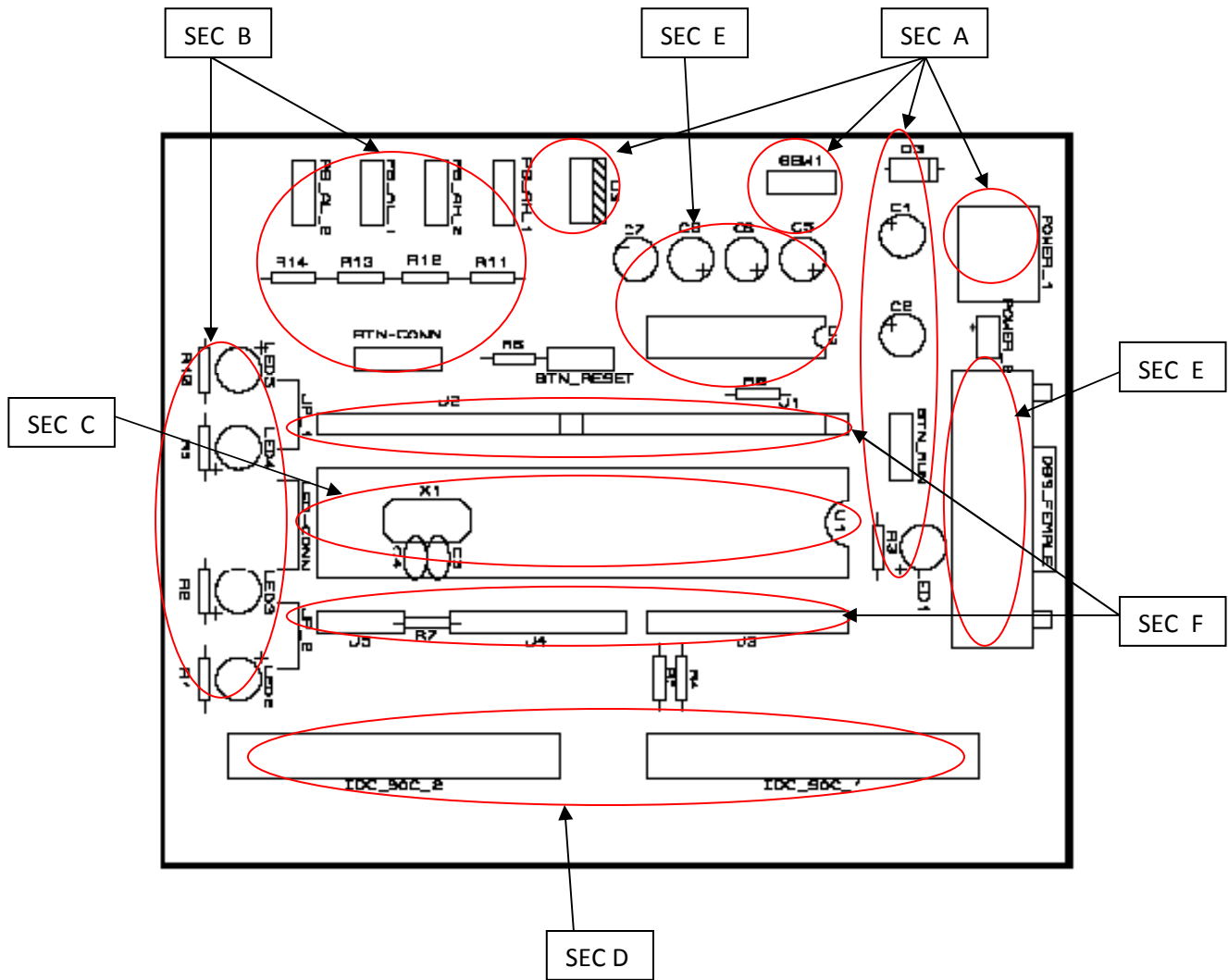


68HC11 TRAINER KIT

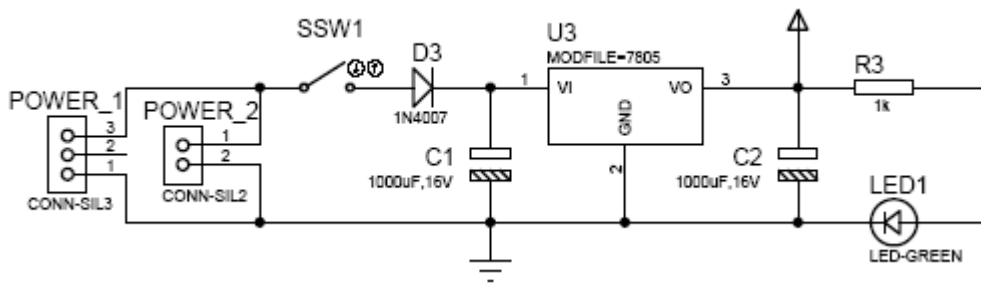




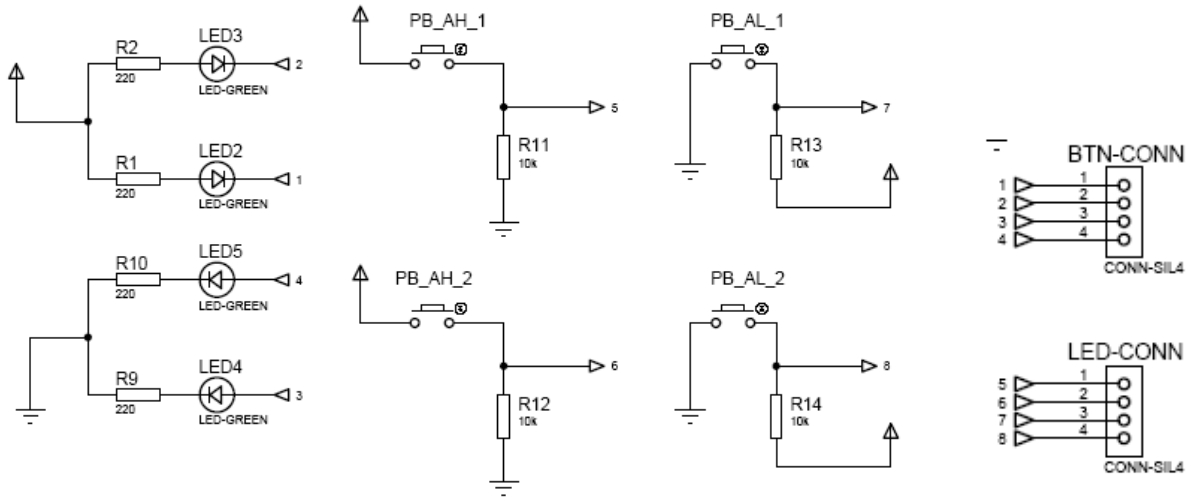




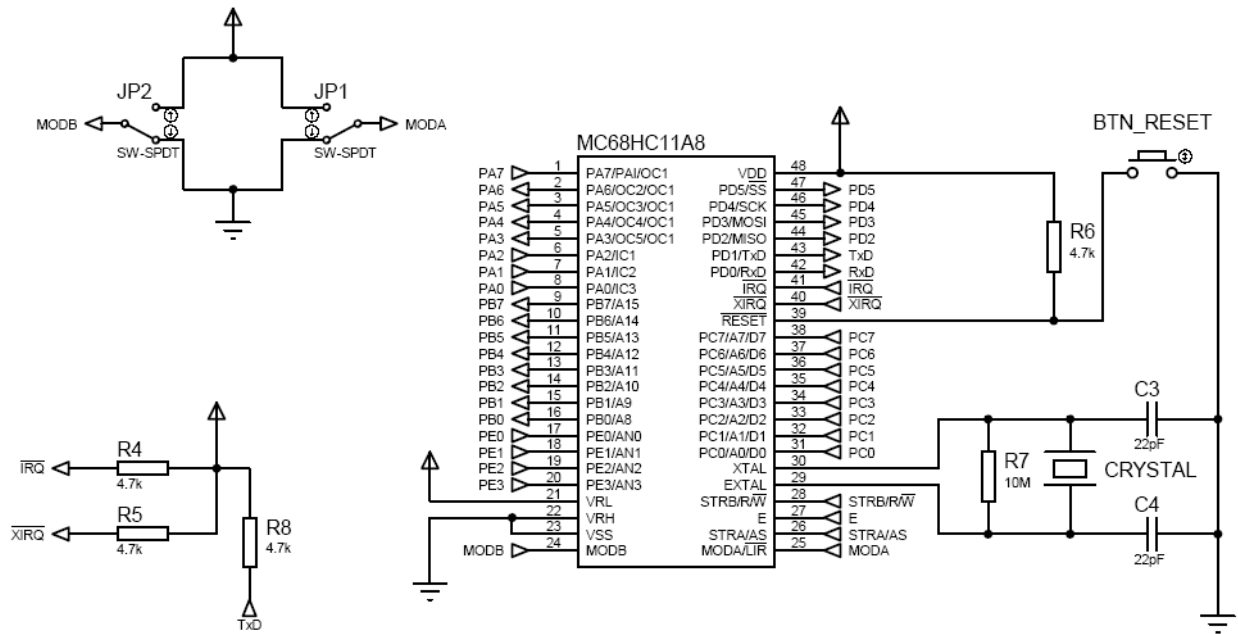
SEC A – Power Supply



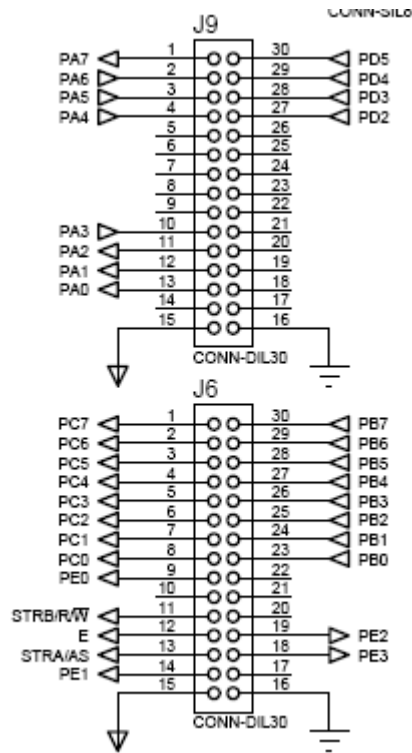
SEC B – Simulation switch and led



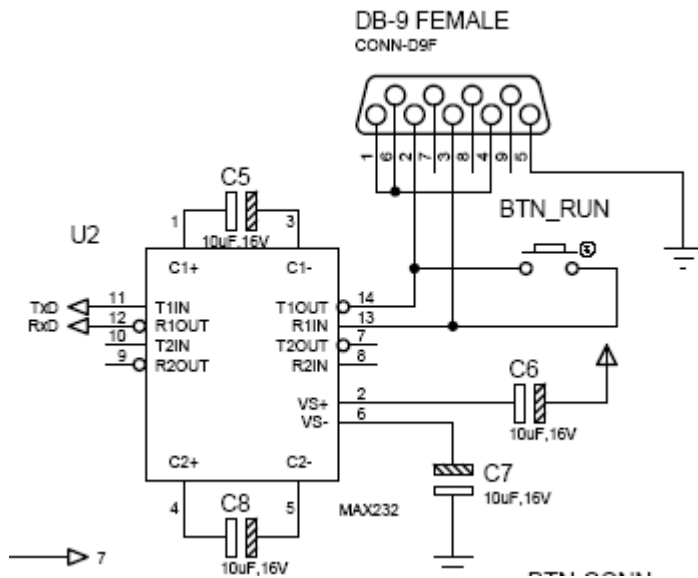
SEC C – 68hc11, MODA/MODB, CLK,



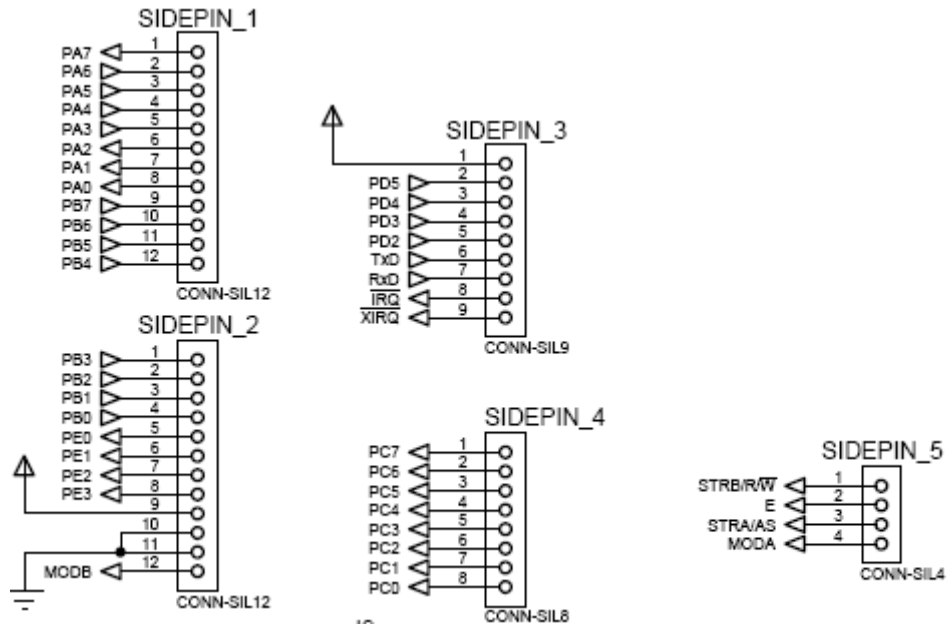
SEC D – External Connector (ribbon)



SEC E – Serial Communication



SEC F – Internal Connectors (small socket)



LIST OF COMPONENT FOR 68HC11 CIRCUIT

Voltage regulator

Components	Value	Quantity
Resistor	1K	1
Conn ac-dc adapter		1
Conn 2 ways		1
Slide switch		1
Diode	1N4007	1
e-cap	1000uF	2
LM7805		1
Led – 3mm	red	1

Microcontroller circuit

Components	Value	Quantity
IC socket	48 pins	1
	16 pins	1
Resistors	220ohm	4
	10K	4
	4.7K	4
	10M	1
e-Cap	10uF,16V	4
Cap	22pF	2
Crystal	8Mhz	1
Led – 3mm	2 Yellow, 2 Green	4
Tact button		6
IDC socket	30 pin	4
Turn Pin	1 x 40	3
DB-9 female	9 way PCB	1
Max232		1
Pin header	1x40	1
	2x40	2
Mini jumper	Closed type	2
30way flat cable	½ meter	1